



1710-2170/2490-2690 Double Band Combiner 4in 2out

ELECTRICAL SPECIFICATIONS

ANT1-Port1&ANT2-Port3 Frequency Range (MHz)	2490-2690MHz
Insertion Loss (dB)	0.2typical 0.3max
Return Loss(dB)	20 typical 18 min
Isolation(2490-2690MHz)	52 typical 50dB min
Intermodulation	<-160dBc typical ,< -155 dBc min (with 2x43 dBm)
ANT1-Port2&ANT2-Port4 Frequency Range (MHz)	2490-2690MHz
Insertion Loss (dB)	0.2typical 0.3max
Return Loss(dB)	20 typical 18 min
Isolation(1710-2170MHz)	52 typical 50dB min
Intermodulation	<-160dBc typical ,< -155 dBc min (with 2x43 dBm)
Max Input Power per port	200W
DC Pass Current	3A
Impedance	50 Ω

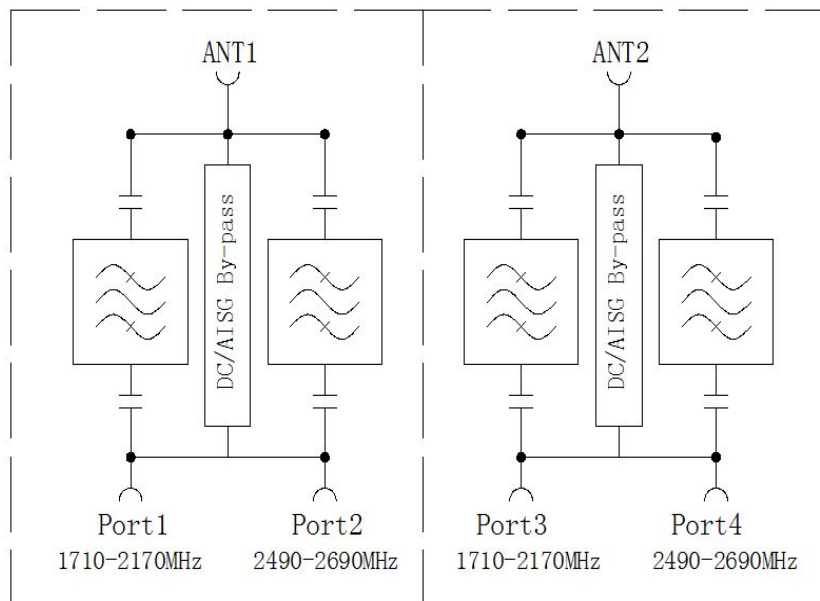
MECHANICAL SPECIFICATIONS

Dimension HxWxD mm (body)	Double Unit: 117x116x85mm (Filter Body)
Weight	Double Unit: ≤2.7kg (Net weight)
Colors	Light Grey
RF Connectors	7/16 DIN-Female or 4.3-10-Female
Mounting Kit	Mounting kit for pole and wall included

ENVIRONMENTAL SPECIFICATIONS

Temperature Range	-40°C to +65°C
Operational	ETS 300 019-1-4
Transportation	ETS 300 019-1-2
Storage	ETS 300 019-1-1
Lightning Protection	±5KA 8/20us
Housing	Aluminum
Ingress Protection	IP67

Block Diagram



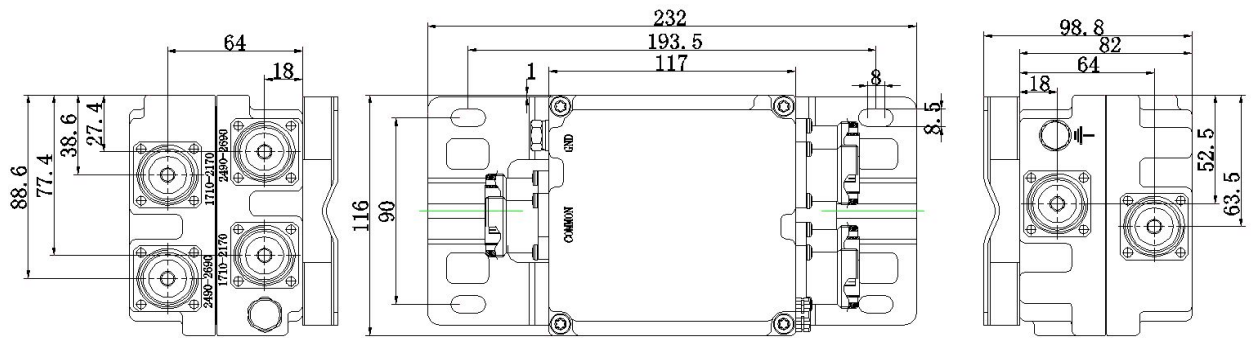
Tongyu Communication Inc.

No. 1, Dongzhendong 2nd RD, Torch Hi-Tech Development Zone, Zhongshan, Guangdong, China
Tel: +86 (0)760 85318111 Fax: +86 (0)760 85594662 Website: www.tycc.cn email: sales@tycc.cn



1710-2170/2490-2690 Double Band Combiner 4in 2out

Mechanical Dimension



Ordering Information

Part Number	Product Type	DC Configuration	
		DC pass in LOW band	DC pass in High band
TYT-C122D037(F1V1)	Double Unit	✓	✓
TYT-C122D037(F1V2)	Double Unit	✓	✗
TYT-C122D037(F1V3)	Double Unit	✗	✓
TYT-C122D037(F1V4)	Double Unit	✗	✗

Application

The Combiner TYT-C122D037 to be used for combining 1710-2170/2490-2690 signals to a common feeder. Rejection between the two systems is provided to suppress wide band noise and spurious signals between the systems. The combiner has a configurable DC path to provide both DC and modulated subcarrier communication to TMA and RET systems over the feeder cable. This unit is intended for indoor or outdoor installations.

TYCC vented enclosure is designed to prevent the effect of condensation thereby guaranteeing long reliable, maintenance free service in all environmental conditions.

Tongyu Communication Inc.

No. 1, Dongzhendong 2nd RD, Torch Hi-Tech Development Zone, Zhongshan, Guangdong, China
Tel: +86 (0)760 85318111 Fax: +86 (0)760 85594662 Website: www.tycc.cn email: sales@tycc.cn